

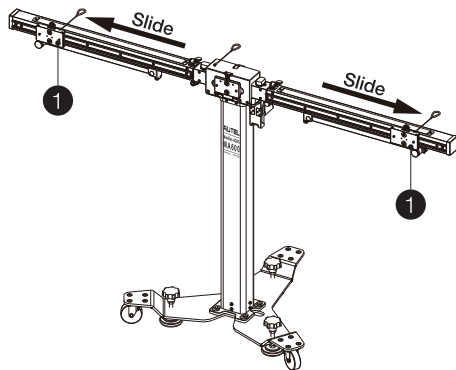
Thank you for purchasing this Autel diagnostic tool. This tool, manufactured to a high standard, if used according to the instructions and properly maintained, will give you years of trouble-free performance.



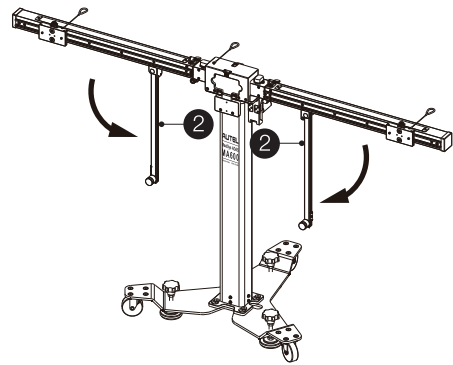
### WARNING:

- Serious or fatal crushing injuries can occur from frame tip-over. To prevent the calibration frame from tipping over it must be secured to the ground during the assembly.
- Improper assembly of the calibration frame may result in permanent damage to the frame and may render it inoperable and/or unsafe.

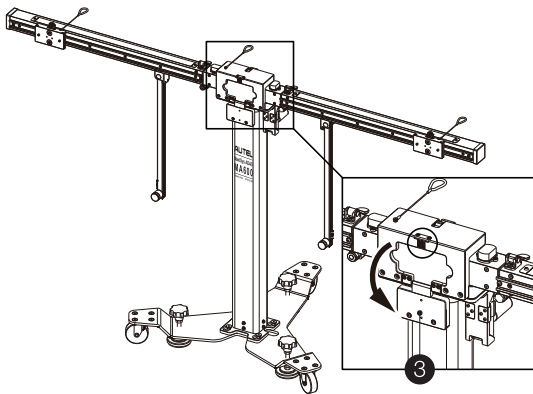
## Assemble the pattern board



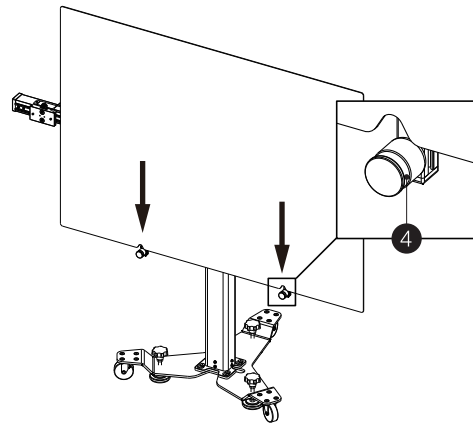
**Step 1:** Slide the right and left sliding plates ① to each end of the crossbar.



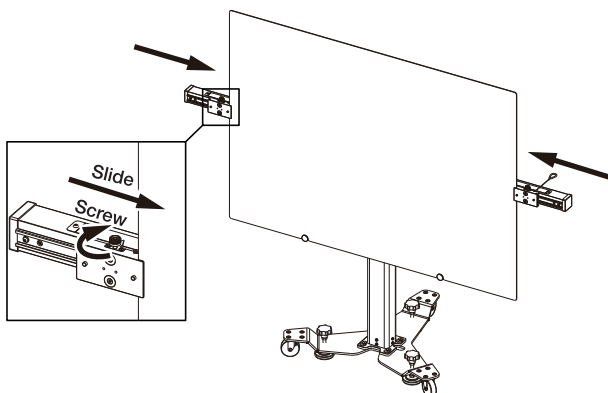
**Step 2:** Unfold and straighten the right and left pattern board holders ② from the crossbar.



**Step 3:** Push up the OPEN button above the fixed plate ③ and pull the plate down.



**Step 4:** Align the grooves on the lower edge of the pattern board with the positioning spaces ④ on the pattern board holder ledges.



**Step 5:** Move the right and left sliding plates towards the pattern board and secure the board into the positioning spaces of the plates. Tighten the knobs on the sliding plates to secure the board in place.